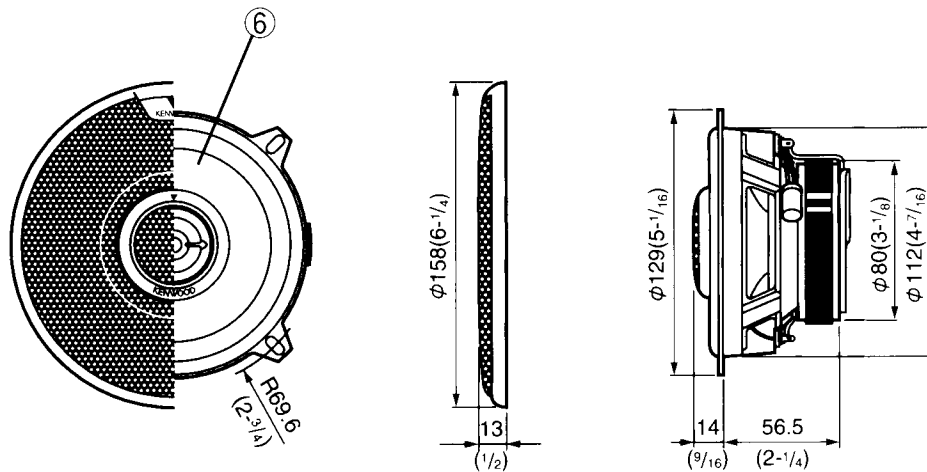
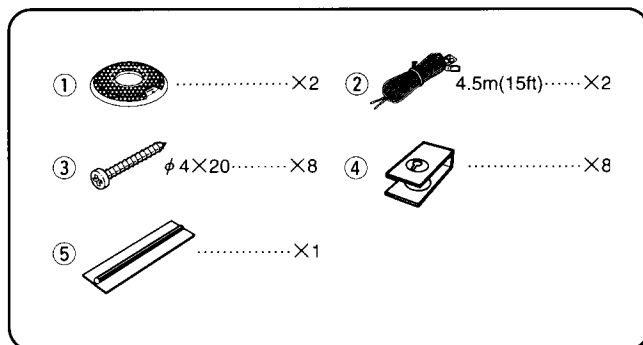


EXTERNAL VIEW**UNIT : mm (inch)****PARTS INCLUDED****PARTS LIST**

* New parts

Parts without **Parts No.** are not supplied.Les articles non mentionnés dans le **Parts No.** ne sont pas fournis.Teile ohne **Parts No.** werden nicht geliefert.

Ref No.	New Parts	Parts No.	Description
① a	*	B06-1078-08	GRILLE
① b	*	F09-1168-08	PROTECTOR
②		E30-5367-08	CORD ASSY
③, ④		N99-1273-08	SCREW SET
⑤		J69-0111-08	ADHESIVE TAPE
⑥	*	T15-0335-08	SPEAKER

SPECIFICATIONS**Speakers**

Woofers	130mm(5in) Pearl Mica Cone Type
	230g(8.2oz) Magnet
Tweeter	30mm(1-3/16in) P.P.T.A. Balanced Dome Type
Peak Power	100 Watts
Frequency Response	40 Hz~30,000 Hz
Sensitivity	91 dB/W at 1m
Impedance	4 Ohms
Net Weight With Grille	1,460g(3.2 lb)/Pair

We follow a policy of advancements in development. For this reason specifications may be changed without notice.